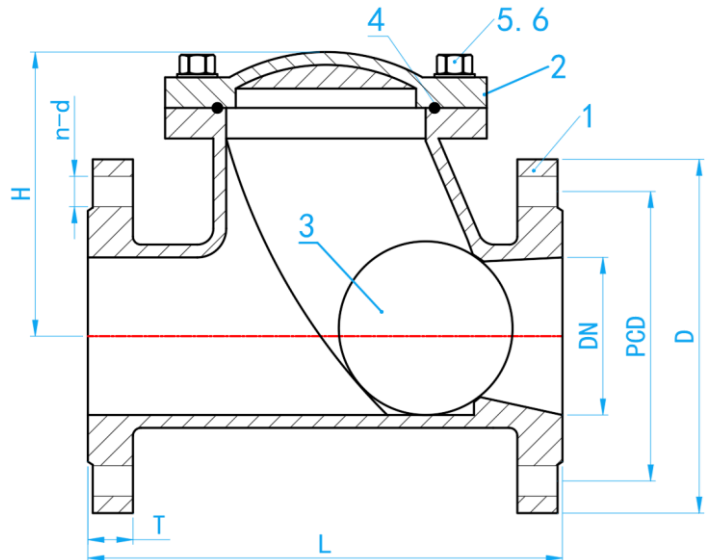


DUCTILE IRON BALL CHECK VALVE

COMPLY WITH BS 5153:1974



CROSS SECTIONAL VIEW

STANDARD SPECIFICATIONS

Nominal Pressure	PN16
Operating Temperature	0 ~ 80°C

COMPONEN PARTS

ITEM	PARTS	MATERIAL
1	Body	Ductile Iron
2	Valve Cover	Ductile Iron
3	Globe Valve	WCB + NBR
4	O-ring	NBR
5	Bolt	AISI304
6	Washer	AISI304

DIMENSIONS

SKU	DN (mm)	L (mm)	D (mm)	PCD (mm)	H (mm)	NOS of BOLT HOLES	T (mm)	WEIGHT (Kg)
BCVDIN080	80	245	200	160	140	8-19	20	13.4
BCVDIN100	100	295	220	180	160	8-19	22	18.2
BCVDIN150	150	362	285	240	216	8-23	24	40.7

*Note: The tolerance for L is $\pm 5\%$.